



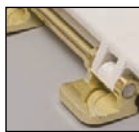
Molded Wood Seats Elongated

Residential

900



Chrome



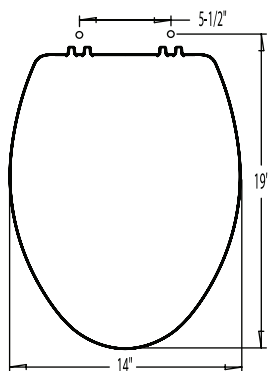
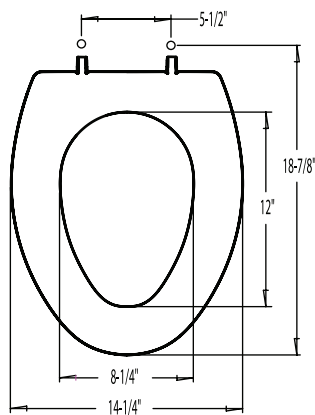
Brass



Brushed Nickel



Oil Rub



DETAILS

900

Molded wood seat for elongated bowl. Durable polypropylene skin-over-wood core that won't chip, dent, flatten, flake, scratch or fade.

Standard Features:

- Top mount for easy installation
- Impact-absorbing hinges, no screws to rust or pull out of core
- Integrally-molded, permanent and sanitary color-keyed bumpers will not fall off like conventional wood composition seats
- Corrosion-free hardware
- Withstands cleansers, strong chemicals
- Won't crack, chip or peel like conventional wood composition seats
- Designed for easy cleaning
- Produced using Centoco's patented process

Metal Hinge Features:

- Metal hinges and cross bar made of aluminum with protective finish

Seat Color	Code #	900
White	001	● <input type="checkbox"/>
Biscuit	416	● <input type="checkbox"/>
Bone	106-A	● <input type="checkbox"/>

Hinge Color	Code #	900
Plastic White Hinge		● <input type="checkbox"/>
Chrome Hinge	CH	● <input type="checkbox"/>
Brass Hinge	BR	● <input type="checkbox"/>
Brushed Nickel Hinge	BN	● <input type="checkbox"/>
Oil Rub Finish Hinge	OR	● <input type="checkbox"/>

Canada ● U.S.